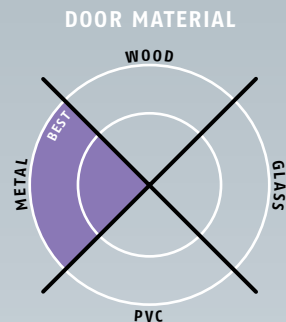


# Planet RO → 19,8 / 36 x 20 mm | ↓ 16 mm | ≤ 50 dB



## Main features

- Seal height up to ↓ 16 mm
- Acoustic insulation up to ≤ 50 dB in case of an optimal sealing
- Unilateral and soundless release, silent seal
- Due to parallel drop-down no trailing on the floor
- Automatic compensation at inclined floors
- For double leaf folding doors with flush bolt or driving bar
- High-grade silicone lip, simple lift height adjustment
- Can be shortened up to the next shorter length on stock
- No extra need to cut off silicone at both ends
- 7 years warranty

## Versions

- Planet RO → RD ≤ 50 dB, smoke-shielding
- Planet RO → FH+RD ≤ 50 dB, fire-retardant + smoke-shielding
- Possibility of silicone-free (TPE) execution
- Option Double-shortening → refer to chapter Accessories | TR125
- Special versions on request



## Door types with Planet RO



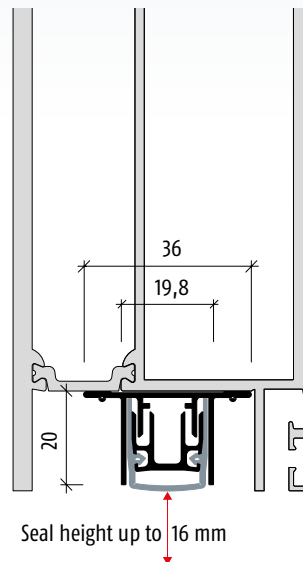
Double leaf doors → refer to chapter Accessories | Flush bolt, drilling

## More functions



## Technical specifications

Profile material	Aluminum, → 19,8 / 36 x 20 mm
Seal profile	high-grade silicone or high-grade self-extinguishing silicone
Seal height	up to ↓ 16 mm
Sound absorption value	up to ≤ 50 dB at 7 mm space to the floor; up to ≤ 43 dB at 16 mm space to the floor
Lift height adjustment	on the release knob with an Allen key 3 mm
Lengths in stock	335, 460, 585, 710, 835, 960, 1085, 1210, 1335, 1460, 1585 mm
Special lengths	on request up to 6000 mm for wing- and sliding doors
Release	unilaterally on hinge side
Can be shortened	up to the maximum of 125 mm (335 mm only 115 mm)
Fastening	from the bottom with screws available with the customer
Frame protector plate	Stainless, hammer fixed, 20 x 20 mm
Test approvals	on request



## Versions | Options | Accessories



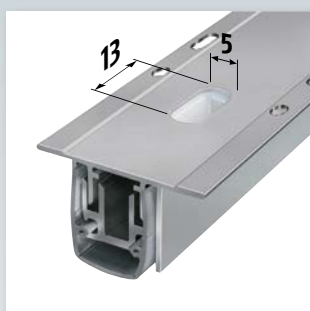
Profile Planet RO



Planet RO, release side



**Option:** Planet RO with bevel lip for uneven floors



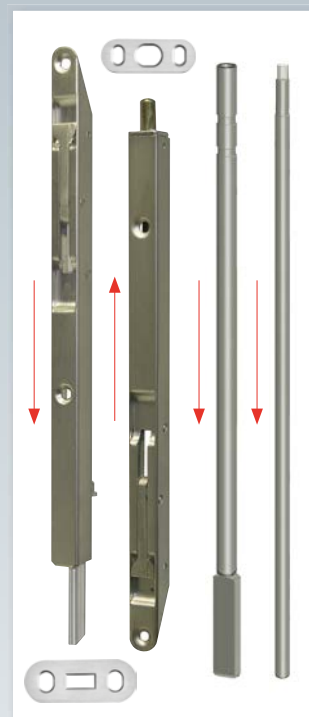
**Option:** Planet RO with Planet drill hole  $\varnothing 5 \times 13$  mm for flush bolt, driving bar rods → refer to chapter Accessories | driving bar rods



**Option:** Planet RO with Planet drill hole  $\varnothing 8,2$  mm for driving bar rods → refer to chapter Accessories | driving bar rods



**Option:** Planet RO with Planet drill hole  $\varnothing 10,8$  mm for flush bolt, driving bar rods → refer to chapter Accessories | driving bar rods



**Accessories:** Planet KR flush bolt, incl. strike plate → refer to chapter Accessories | Flush bolt  
**Driving bar rods flattened** → see pages 137 – 145

## Order specifications

Planet RO → RD  $\leq 50$  dB

Prod. code 56xxx\*

Planet RO → FH+RD  $\leq 50$  dB

Prod. code 57xxx\*

\* xxx = refer to price list for profile length

## Accessories | Options

Planet drill hole  $\varnothing 5 \times 13$  mm

including plastic guide, for Planet KR and driving bar rods flattened → refer to chapter Accessories | Flush bolt, drilling

Prod. code 900190

Planet drill hole  $\varnothing 8,2$  mm

Prod. code 900866

Planet drill hole  $\varnothing 10,8$  mm

Prod. code 900280

Planet BM floor recess plates

→ refer to chapter Accessories | BM

Prod. code 90034x-x

Prod. code 90027x-x

Cut the Planet to fix dimension

Prod. code 900200

Planet sliding door

refer to price list, options/supplements

x-x = Several Planet Floor recess plates available in different adjustment range refer to chapter Accessories | BM

## Advertising text



Planet RO → RD (smoke-shielding)  $\leq 50$  dB

Automatic door drop-down seal **Planet RO → RD  $\leq 50$  dB**, for sound absorption and smoke-shielding doors, release on hinge side with automatic compensation in case of an inclined floor, parallel drop-down, seal height up to  $\downarrow 16$  mm. Silicone lip, fastening on the bottom. Aluminum profile → **19,8 / 36 x 20 mm**.

## Advertising text



Planet RO → FH+RD (fire-retardant + smoke-shielding)  $\leq 50$  dB

Automatic door drop-down seal **Planet RO → FH+RD  $\leq 50$  dB**, for sound protection-, smoke-shielding and fire-retardant doors, release on hinge side with automatic compensation in case of an inclined floor, parallel drop-down, seal height up to  $\downarrow 16$  mm. Self-extinguishing silicone lip, fastening on the bottom. Aluminum profile → **19,8 / 36 x 20 mm**.