



The Sauerland Door Concept



Solutions for the better door!

The Sauerland Door Concept

We offer more than just an infill for doors.
We offer a concept:
The Sauerland Door Concept.

By using our boards you will cover all needs
of doors in terms of quality and performance:

- 1. Low Weight**
- 2. Impact Resistance**
- 3. Economical Benefit**
- 4. No Bending**
- 5. No Telegraphing**
- 6. Sound Insulation**
- 7. Fire Resistance**

We are passionate about good doors.
Sauerland is Germany's No. 1 in door solutions.



Doors with ideal weight

1. Low Weight



Ordinary Particle Board is heavy. This affects handling during installation. Moreover, bigger hinges are necessary to keep the door in the right position. This leads to higher costs.



Sauerland Tubular Board guarantees just the right weight.

Sauerland Tubular Board is genius as compared to Ordinary Particle Board only half the raw material quantity is consumed. The ecological effect is obvious.



Sauerland
Guarantee

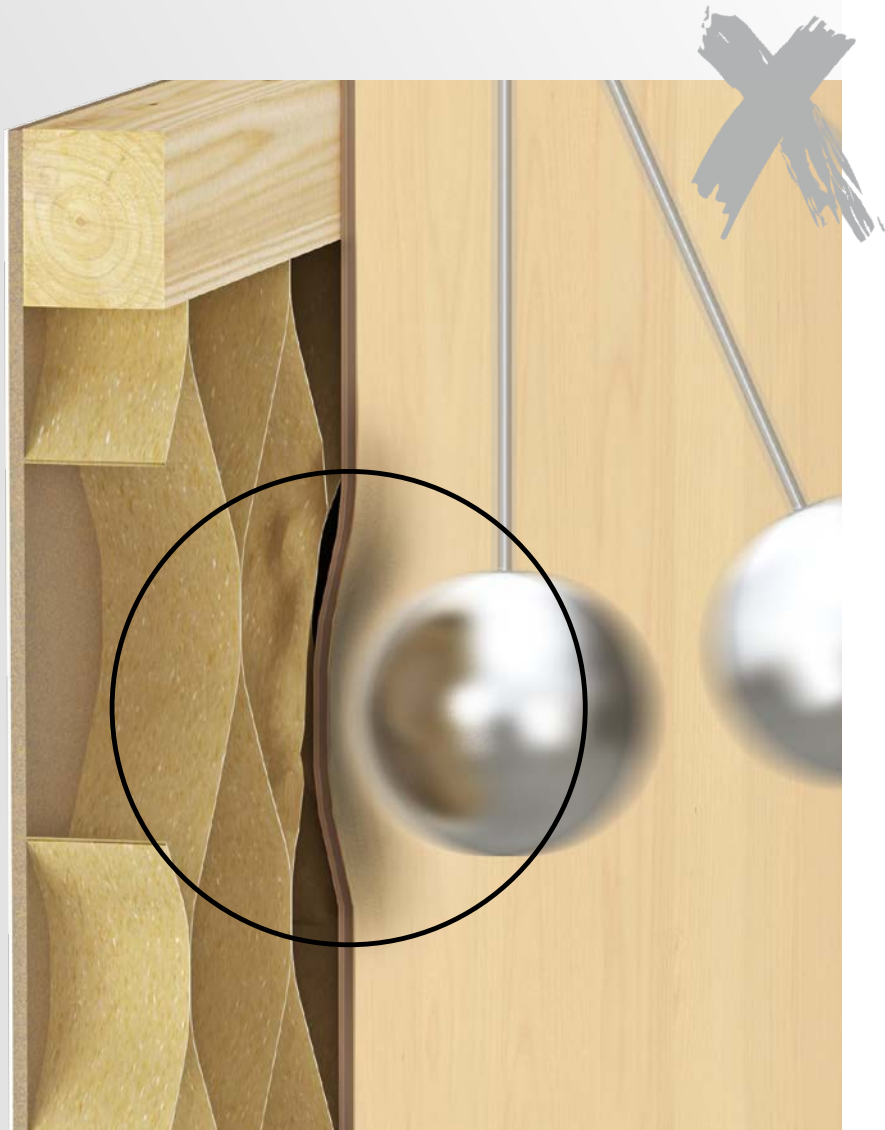
✓
About 50%
weight reduction



Doors resisting daily stress

2. Impact Resistance

Honeycomb does not resist mechanical stress. Common experience shows that doors are under continuous workload and can easily be damaged.



Every day's moving and handling poses a constant challenge for the door's quality.

Sauerland Tubular Board guarantees their integrity for decades.



**Sauerland
Guarantee**
**No damage
under workload**

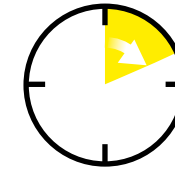


Solutions for the better door!

Door production with high efficiency

3. Economical Benefit

Reduction in costs is a big issue for every door producer. Infills consisting of many parts such as **Wooden Strips** and bits are time-consuming in assembling and expensive.



Sauerland Tubular Board means one piece of core for one door. Once the frame is set you place the core – ready. Reduction of labour costs can be so easy.



**Sauerland
Guarantee** ✓
Low operating costs

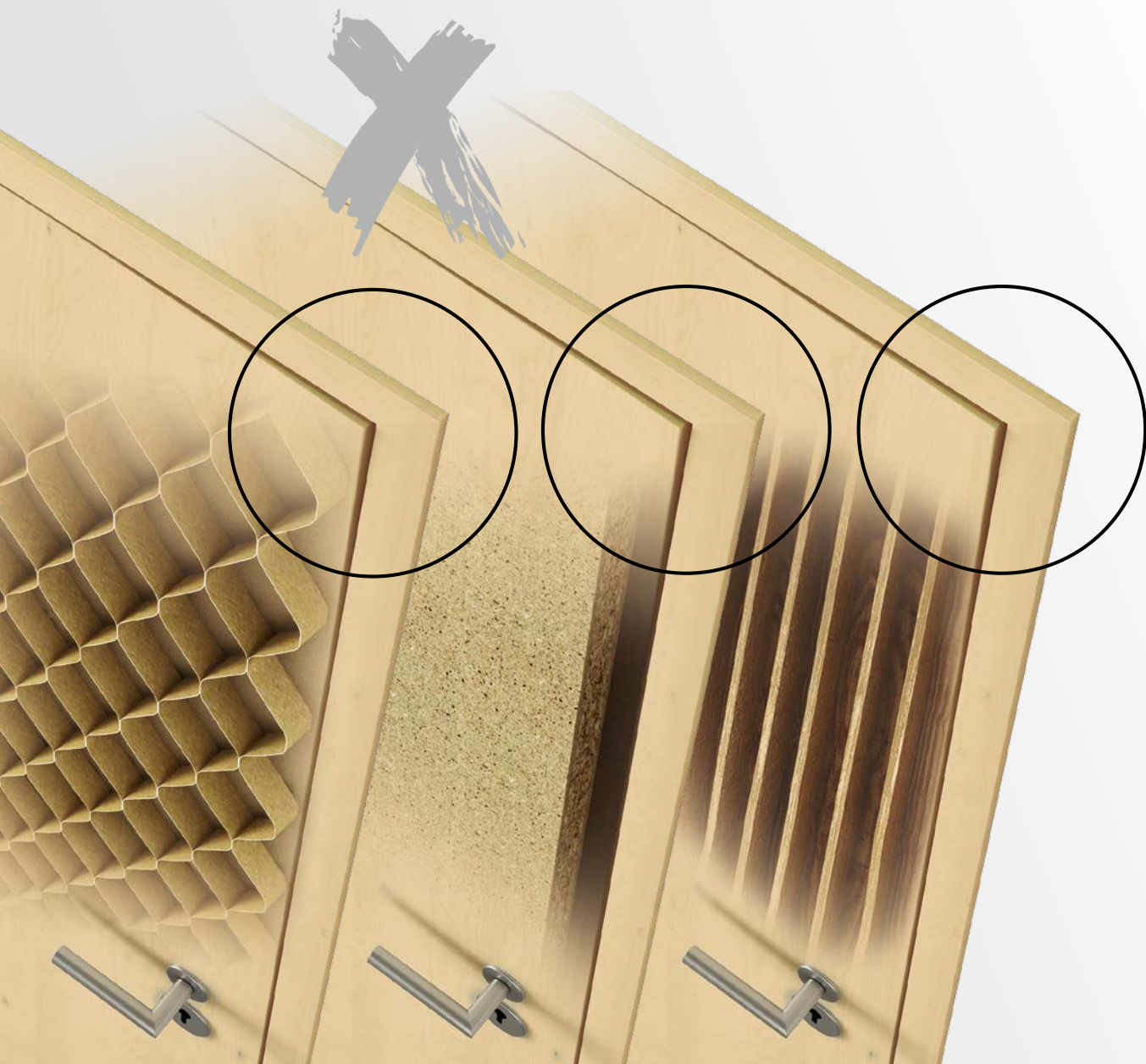


Solutions for the better door!

Doors that close properly

4. No Bending

Honeycomb Infill, Ordinary Particle Board and Wooden Strips cause bending which however leads to a number of defects in the door's daily use: Closing is impeded, noise passes through, heat insulation is decreased and an aesthetical defect is visible.



Sauerland Tubular Board is the ideal core to prevent doors from bowing. We proved that the bowing effect can be reduced significantly.

Solutions for the better door!

Doors with a perfect surface

5. No Telegraphing

Ordinary Particle Board always has the tendency to grow in thickness. This leads to telegraphing and thus to an optical defect to the door surface at the medium run.



Sauerland Tubular Board is extremely precise in thickness and – even more important – does not grow in thickness during the door's lifetime.



Sauerland
Guarantee

Thickness precision
 $\pm 0,1$ mm



Doors reducing sound transmission

6. Sound Insulation

Honeycomb infill

does not form a real obstacle to sound. Quite the contrary: Noise easily passes through. This leads to disturbance in neighbouring rooms.



Sauerland
Guarantee

Less noise pollution

Sauerland Tubular Board
performs brilliantly as a sound barrier. This has been proven in independent testing institutes.



Solutions for the better door!

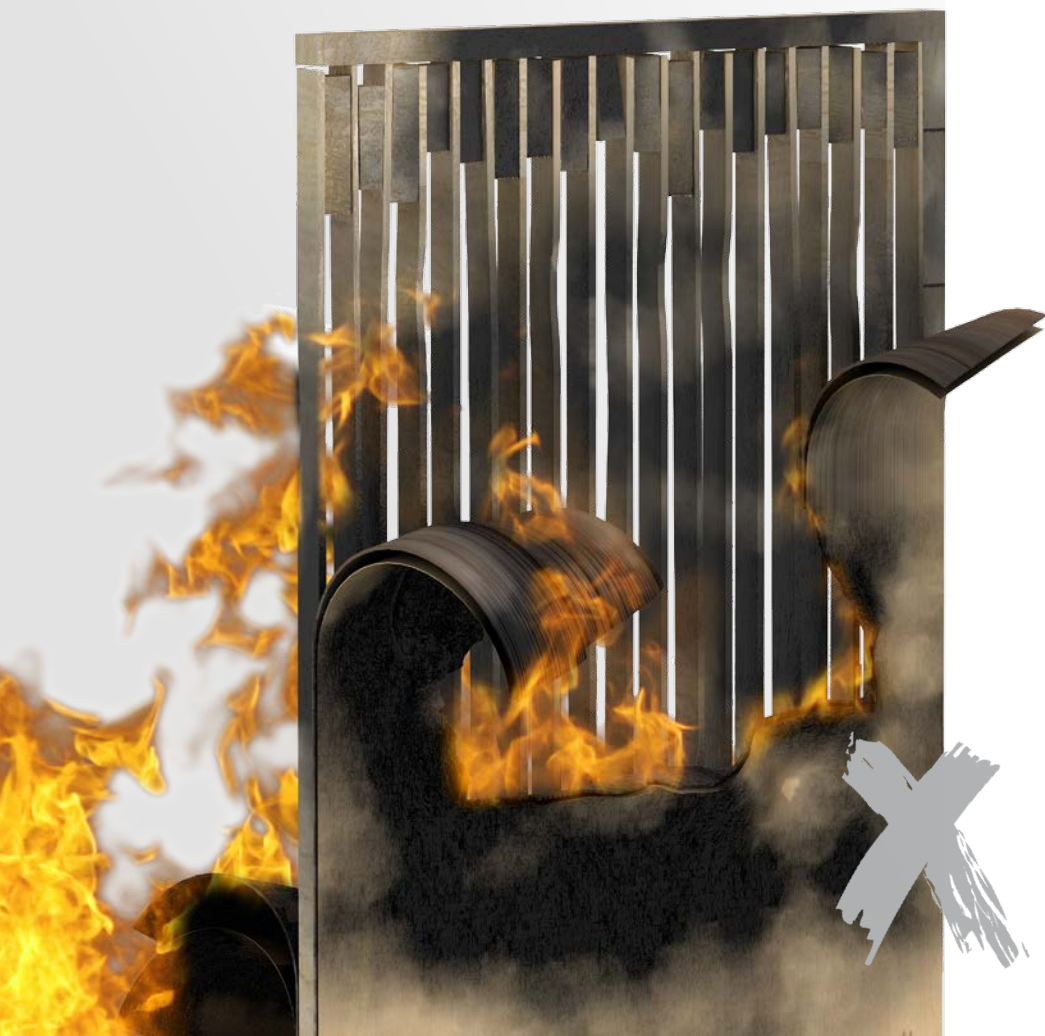
Doors protecting from fire

7. Fire Resistance

Wooden Strips

Fire is a serious threat especially in big cities. Using conventional doors it will take you only minutes to face a burn through.

The picture shows a **Wooden Strip Infill** after 8 minutes.



Sauerland Tubular Board as infill has proven to provide easily 30 minutes fire protection to the door. Up to 60 minutes can be achieved using upgraded types of construction.



Sauerland
Guarantee
Fire protection



Solutions for the better door!

Sauerland Door Concept Sauerland Service

Please compare your actual door construction with the option to apply the **Sauerland Door Concept**.

You will improve quality and performance.
Please do not hesitate to contact us.

We offer:

Personal Visits

... to discuss individual solutions at site.

Support in Door Construction

... following your specific requirement.

Testing in the Sauerland Lab

... regarding all technical demands.





Sauerländer Spanplatten
 GmbH & Co. KG
 Zur Schefferei
 59821 Arnsberg
 Germany
 Phone +49 2931 876-120
 export@sauerland-spanplatte.de



www.sauerland-spanplatte.de